



**PROCESS GAUGES**

# SOLFRUNT® 4-1/2" Model 1986 Gauges with MONEL Internals

**DESCRIPTION**

The Model 1986 4-1/2" SOLFRUNT process gauge has a MONEL Bourdon tube and socket. The Model 1986 gauge is typically used for HF service (hydrofluoric acid) during the alkylation process at a refinery. This gauge has a black glass reinforced thermoplastic (PBTB) turret style case for chemical and petrochemical processing applications. This model comes with an E-Z Fill field fillable case standard. No extra parts are needed to make this gauge a liquid filled unit.

The Model 1986 4-1/2" gauges are supplied in 21 vacuum, compound, and pressure ranges from 30" Hg vacuum through 10000 psi. Standard dials are single scale psi, but this gauge can be ordered with custom dials.

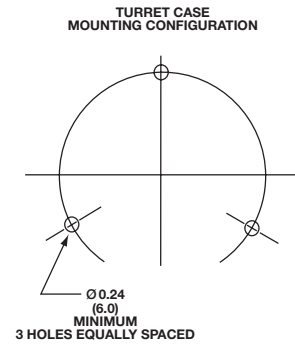
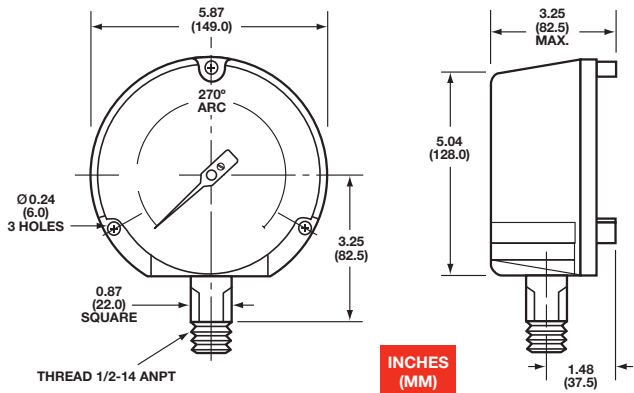
Please contact customer service at +1 215-293-4100 for more information.

**SPECIFICATIONS**

- SIZES:** 4-1/2"
- ACCURACY:** ±0.5% of span (Grade 2A)
- BOURDON TUBE:** K MONEL, MONEL/micro-brazed
- WINDOW:** Polycarbonate
- MOVEMENT:** Aluminum alloy
- DIAL:** Aluminum with baked white background and black markings
- POINTER:** Aluminum, micro-adjustable with black finish
- CASE AND RING:**  
*For Stem or Wall Mounting:*  
PET turret case (black) with glass reinforced thermoplastic, threaded ring and pressure-relieving back (optional yellow case available, add YEL to end of spec number)
- CONNECTION:** MONEL, 1/2-14 ANPT standard (1/4-18 ANPT, optional)



**SOLFRUNT Model 1986**





**PROCESS GAUGES**

# SOLFRUNT<sup>®</sup> 4-1/2" Model 1986 Gauges with MONEL Internals

**Spec Number Selection Chart**

| Model Number        | 1986            | 1986            |
|---------------------|-----------------|-----------------|
| <b>Bourdon Tube</b> | <b>K MONEL</b>  | <b>K MONEL</b>  |
| <b>Socket</b>       | <b>MONEL</b>    | <b>MONEL</b>    |
| <b>Sizes</b>        | <b>4-1/2"</b>   | <b>4-1/2"</b>   |
| <b>Connections</b>  | <b>1/2" NPT</b> | <b>1/4" NPT</b> |
| <b>Ranges*</b>      | <b>Spec No.</b> | <b>Spec No.</b> |
| 0-30" Hg VAC        | 170060K         | 175060K         |
| 30"-0-15 psi        | 170061K         | 175061K         |
| 30"-0-30 psi        | 170062K         | 175062K         |
| 30"-0-60 psi        | 170063K         | 175063K         |
| 30"-0-100 psi       | 170064K         | 175064K         |
| 30"-0-150 psi       | 170065K         | 175065K         |
| 30"-0-300 psi       | 270449K         | 275449K         |
| 0-15 psi            | 170066K         | 175066K         |
| 0-30 psi            | 170067K         | 175067K         |
| 0-60 psi            | 170068K         | 175068K         |
| 0-100 psi           | 170069K         | 175069K         |
| 0-160 psi           | 170070K         | 175070K         |
| 0-200 psi           | 170071K         | 175071K         |
| 0-300 psi           | 170072K         | 175072K         |
| 0-400 psi           | 170073K         | 175073K         |
| 0-600 psi           | 170074K         | 175074K         |
| 0-1000 psi          | 170075K         | 175075K         |
| 0-2000 psi          | 170529K         | 175529K         |
| 0-3000 psi          | 170530K         | 175530K         |
| 0-5000 psi          | 170531K         | 175531K         |
| 0-10000 psi         | 170532K         | 175532K         |

*NOTE: This table is not intended to be all inclusive of all possible configurations*

*\* Metric and dual scale dials are available on all 1900 Series gauges. Please reference Metric and Dual Scale Dial part numbers in this section.*

*For yellow case option, please add YEL to the end of spec numbers above*

*For factory liquid filling please add LG for Glycerin or LS for Silicone to the end of the spec numbers above, for example 170060KLG*